



KENDAMA TABLE LAMP

Description

The Kendama Lamp is inspired by both the Japanese skill game and the tethered nature of the table lamp typology. This versatile lamp celebrates its cord and sets the scene with or without its elevated base. The illuminated torus of mold-blown glass sits atop a solid walnut base with a polished brass spike. Activated by capacitive touch, each tap of the brass button cycles through graduated lighting levels. The wood base rests on a rubber foot for soft contact with surfaces. An engraved brass counterweight is individually stamped and numbered in the production sequence.

Information

Walnut, Brass, Glass
Custom LED, 2700K
10' long cloth covered power cord with USB Power Brick

Manufacture Information

Made in San Francisco, California

Lead Time

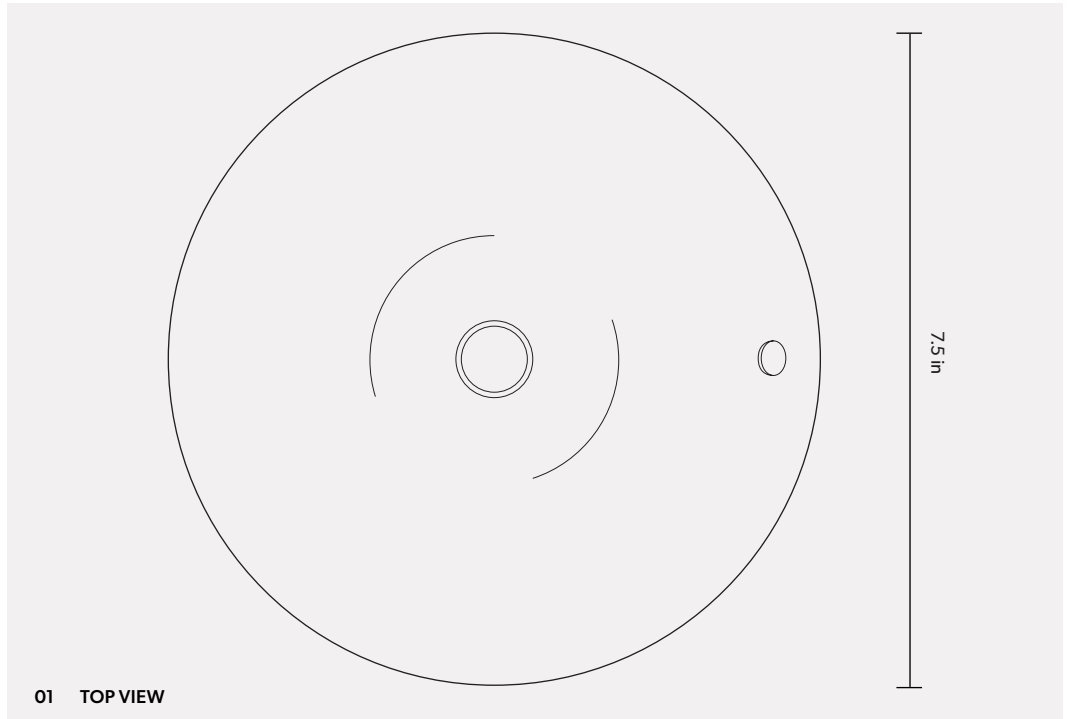
6 weeks

Dimensions

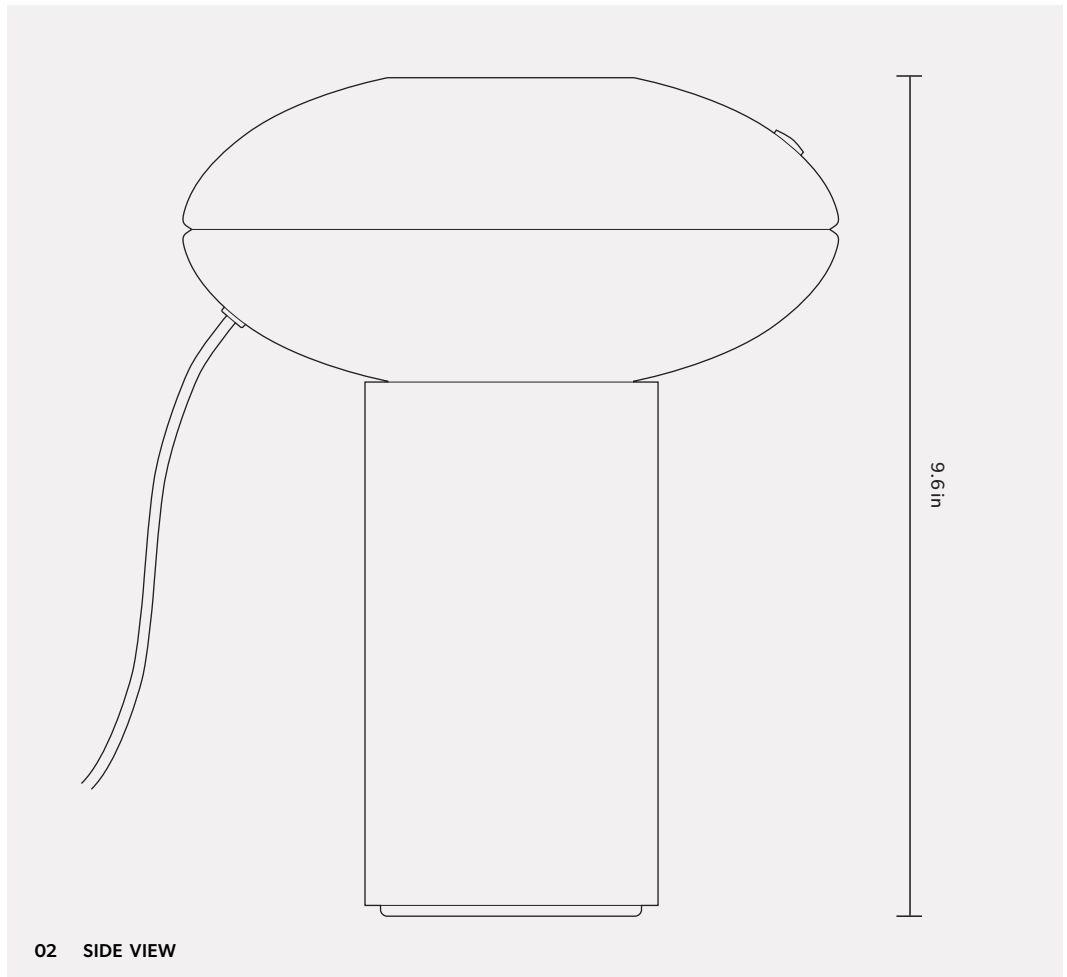
height / width
9.6 / 7.5

Weight

11 lbs



01 TOP VIEW



02 SIDE VIEW

KENDAMA
TABLE LAMP

MEDIUM SMALL
San Francisco, CA

For 2D and 3D drawings, including CAD and Revit files, please visit www.medium-small.com.